

Safety Relay Unit G9SB

Ultra Slim Safety Relay Unit

- Models of width 17.5 mm available with 2 or 3 poles. Models of width 22.5 mm with 3 poles also available.
- Conforms to EN standards. (TÜV approval)
- DIN track mounting possible.



Ordering Information

| Main contacts | Auxiliary contact | Number of input channels | Reset mode | Input type | Rated voltage | Model | Category |
|---------------|-------------------|--------------------------|--------------|-------------|---------------|--------------------------|----------|
| DPST-NO | None | 2 channels | Auto-reset | Inverse | 24 VAC/VDC | G9SB-2002-A | 4 |
| | | 1 channel or 2 channels | | + common | | G9SB-200-B | |
| | | 2 channels | Manual reset | Inverse | | G9SB-2002-C | |
| | | 1 channel or 2 channels | | + common | | G9SB-200-D | |
| 3PST-NO | SPST-NC | None (direct breaking) | Auto-reset | --- | 24 VDC | G9SB-3010 (See note.) | 3 |
| | | 2 channels | | Inverse | | + common | |
| | | 1 channel or 2 channels | Manual reset | | Inverse | | + common |
| | | 2 channels | | G9SB-3012-C | | | |
| | | 1 channel or 2 channels | G9SB-301-D | | | | |

Note: The G9SB-3010 can be applied to Safety Category 3 of the EN954-1 if double breaking is used.

Model Number Structure

Model Number Legend

G9SB-□□□□□□
1 2 3 4 5 6

1. Function

None: Emergency stop

2. Contact Configuration (Safety Output)

2: DPST-NO

3: 3PST-NO

3. Contact Configuration (OFF-delay Output)

0: None

4. Contact Configuration (Auxiliary Output)

0: None

1: SPST-NC

5. Input Configuration

None: 1-channel or 2-channel input possible

0: None (direct breaking)

2: 2-channel input

6. Miscellaneous

A: Auto-reset, inverse input

B: Auto-reset, + common input

C: Manual reset, inverse input

D: Manual reset, + common input

Specifications

■ Ratings

Power Input

| Item | G9SB-200□-□ | G9SB-3010 | G9SB-301□-□ |
|-------------------------|--|------------|-------------------|
| Power supply voltage | 24 VAC/VDC: 24 VAC, 50/60 Hz, or 24VDC 24 VDC: 24 VDC | | |
| Operating voltage range | 85% to 110% of rated power supply voltage | | |
| Power consumption | 1.6 VA/1.4 W max. | 1.7 W max. | 2.0 VA/1.7 W max. |

Inputs

| Item | G9SB-200□-□ | G9SB-3010 | G9SB-301□-□ |
|---------------|-------------|------------------------|-------------|
| Input current | 25 mA max. | 60 mA max. (See note.) | 30 mA max. |

Note: Indicates the current between terminals A1 and A2.

Contacts

| Item | G9SB-200□-□ | G9SB-3010 | G9SB-301□-□ |
|---------------------|-----------------------------|-----------|-------------|
| | Resistive load | | |
| Rated load | 250 VAC, 5 A 30 VDC, 5 A | | |
| Rated carry current | 5 A | | |

■ Characteristics

| Item | G9SB-200□-□ | G9SB-3010 | G9SB-301□-□ |
|---------------------------------------|---|--|---------------|
| Contact resistance (See note 1.) | 100 mΩ | | |
| Operating time (See note 2.) | 30 ms max. | | |
| Response time (See notes 2 and 3.) | 10 ms max. | | |
| Insulation resistance (See note 4.) | 100 MΩ min. (at 500 VDC) | | |
| Dielectric strength | Between different outputs | 2,500 VAC, 50/60 Hz for 1 min | |
| | Between inputs and outputs | | |
| | Between power inputs and outputs | | |
| Vibration resistance | 10 to 55 to 10 Hz, 0.375-mm single amplitude (0.75-mm double amplitude) | | |
| Shock resistance | Destruction | 300 m/s ² | |
| | Malfunction | 100 m/s ² | |
| Durability (See note 5.) | Mechanical | 5,000,000 operations min. (at approx. 7,200 operations/hr) | |
| | Electrical | 100,000 operations min. (at approx. 1,800 operations/hr) | |
| Error rate, p-level (reference value) | 5 VDC, 1 mA | | |
| Ambient operating temperature | -25 to 55°C (with no icing or condensation) | | |
| Ambient operating humidity | 35% to 85% | | |
| Terminal tightening torque | 0.5 N·m | | |
| Weight | Approx. 115 g | Approx. 135 g | Approx. 120 g |

Note: 1. The contact resistance was measured with 1 A at 5 VDC using the voltage-drop method.

2. The bounce time is included.

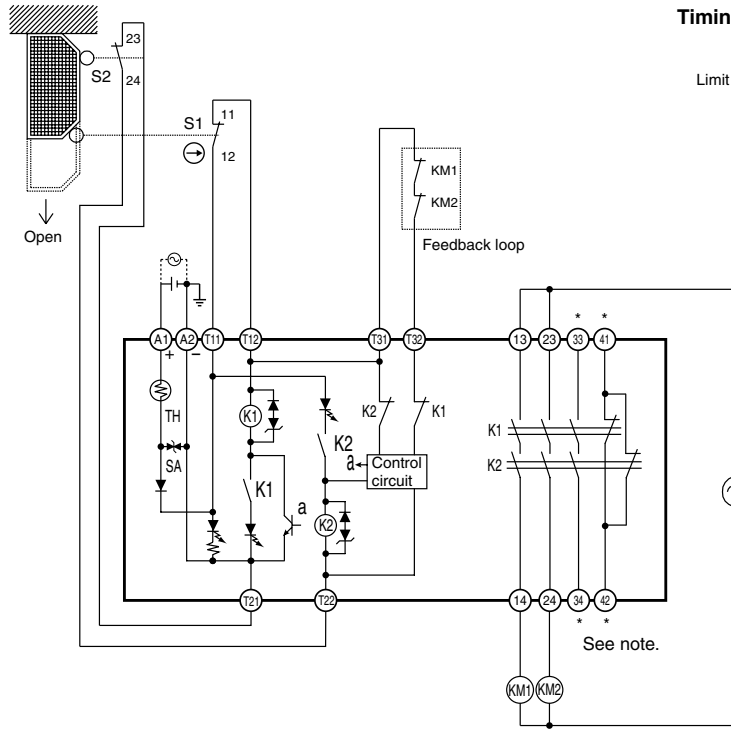
3. The response time is the time it takes for the main contact to open after the input is turned OFF.

4. The insulation resistance was measured with 500 VDC at the same places that the dielectric strength was checked.

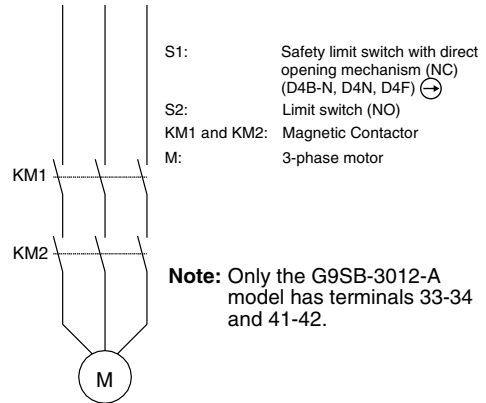
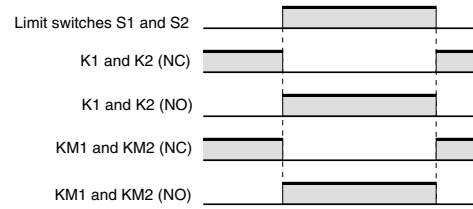
5. The durability is for an ambient temperature of 15°C to 35°C and an ambient humidity of 25% to 75%.

Application Examples

G9SB-2002-A (24 VAC/VDC) or G9SB-3012-A (24 VAC/VDC) with 2-channel Limit Switch Input/ Auto-reset

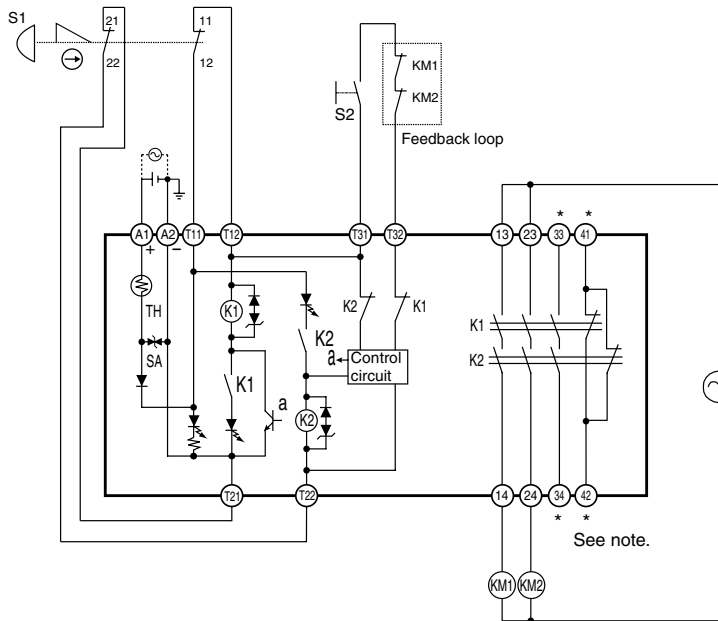


Timing Chart

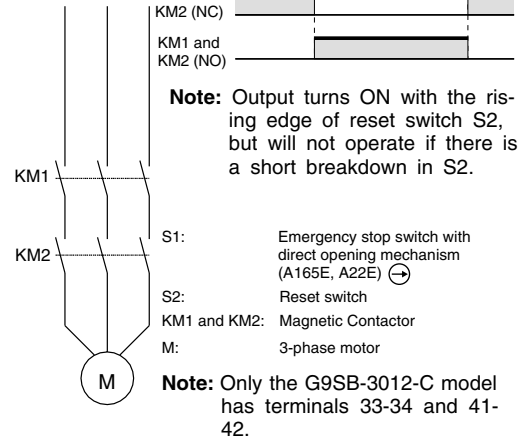


Note: 1. External connections and timing charts for G9SB-200-B/301-B models are the same as those for G9SB-2002-A/3012-A models.
2. This circuit conforms to EN954-1 Safety Category 4.

G9SB-2002-C (24 VAC/VDC) or G9SB-3012-C (24 VAC/VDC) with 2-channel Emergency Stop Switch Input/Manual Reset

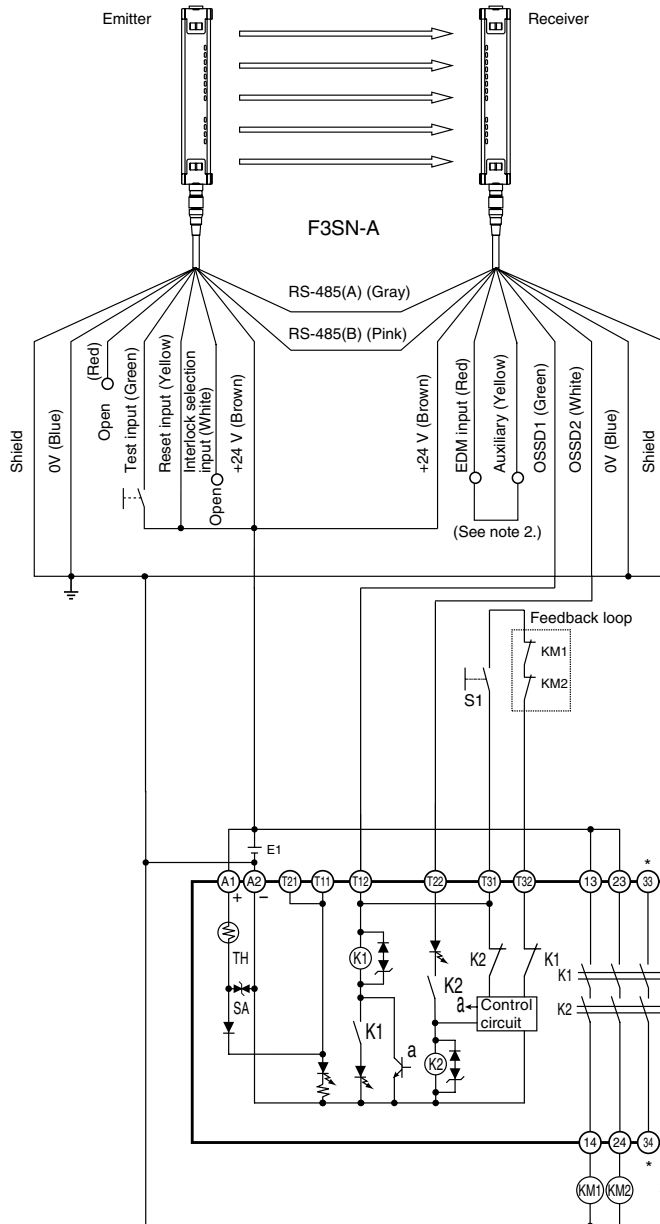


Timing Chart

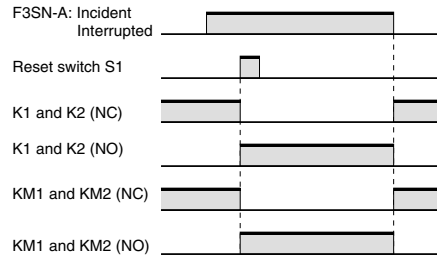


Note: 1. External connections and timing charts for G9SB-200-D/301-D models are the same as those for G9SB-2002-C/3012-D models.
2. This circuit conforms to EN954-1 Safety Category 4.

G9SB-200-D (24 VAC/VDC) or G9SB-301-D (24 VAC/VDC) with 2-channel Safety Area Sensor/ Manual Reset

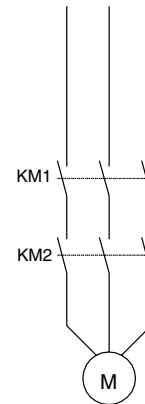


Timing Chart



Note: Output turns ON with the rising edge of reset switch S1, but will not operate if there is a short breakdown in S1.

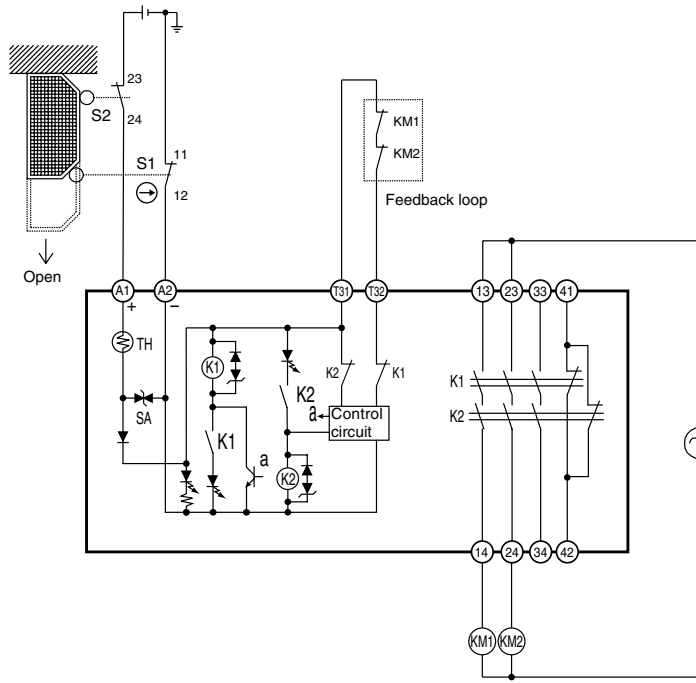
- F3SN-A: Safety Area Sensor
- S1: Reset switch
- KM1 and KM2: Magnetic Contactor
- M: 3-phase motor
- E1: 24-VDC power supply (S82K)



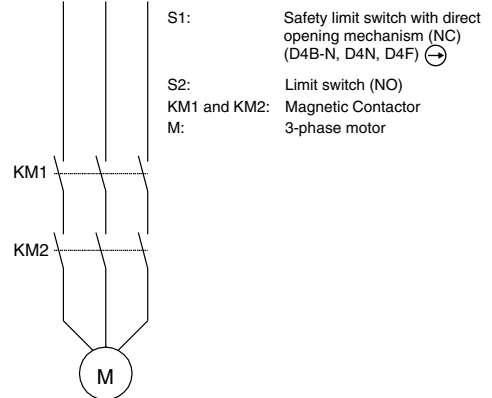
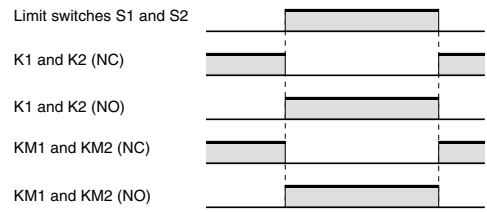
- Note: 1.** Only the G9SB-301-D model has terminals 33-34 and 41-42.
- Note: 2.** Wiring is shown for when the F3SN-A auxiliary output turns ON for light interruption.

Note: This circuit conforms to EN954-1 Safety Category 4.

G9SB-3010 (24 VDC) with 2-channel Limit Switch Input/Auto-reset



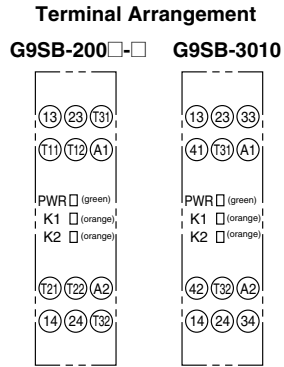
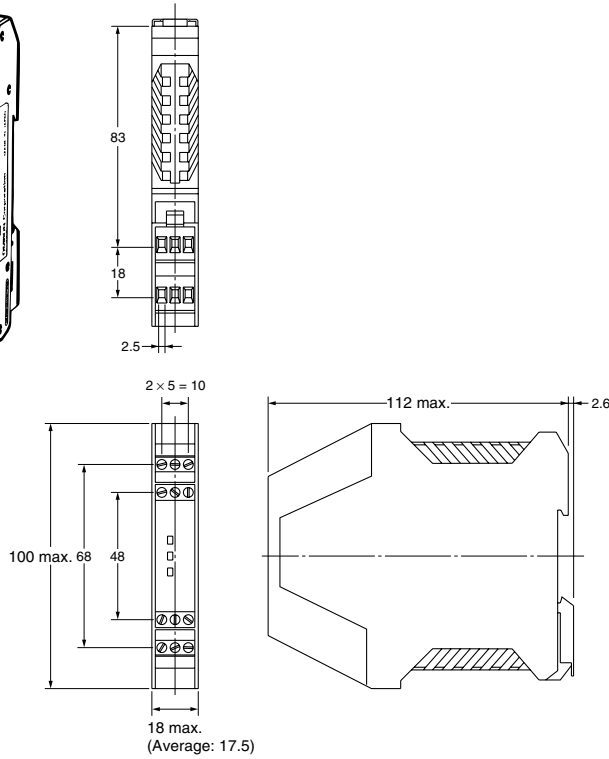
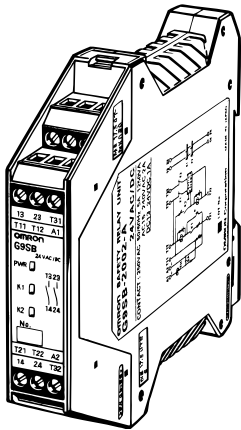
Timing Chart



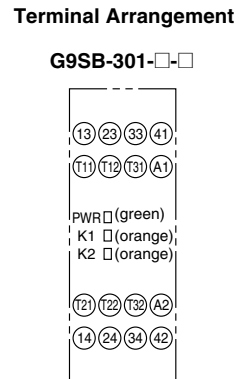
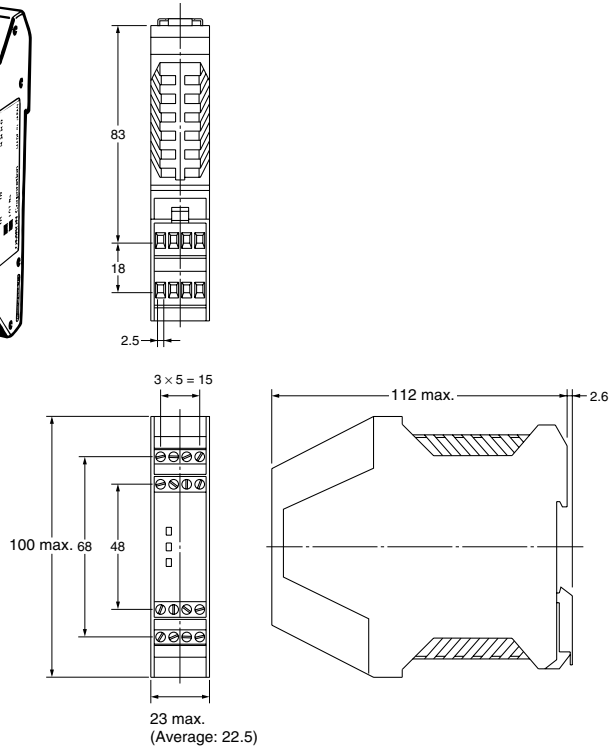
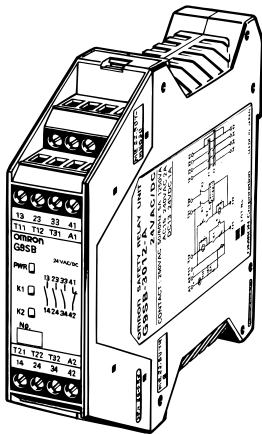
Note: This circuit conforms to EN954-1 Safety Category 3.

Dimensions

G9SB-200□-□
G9SB-3010



G9SB-301-□-□



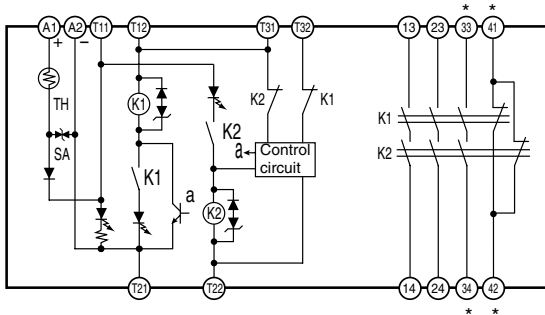
Safety Networks
and Application
Controllers

G9SB

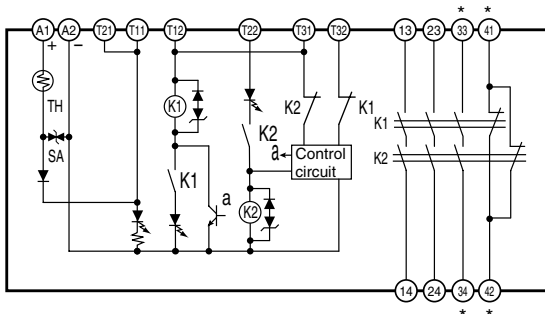
Installation

Internal connections

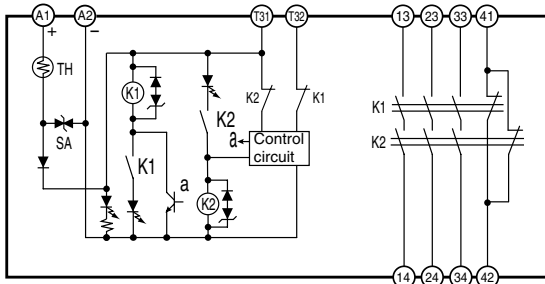
G9SB-2002-A/C (24 VAC/VDC)
G9SB-3012-A/C (24 VAC/VDC)



G9SB-200-B/D (24 VAC/VDC)
G9SB-301-B/D (24 VAC/VDC)



G9SB-3010 (24 VDC)



- Note:**
1. For 1-channel input with G9SB-□□□-B/D models, short terminals T12 and T22. It is not possible to wire G9SB-□□□2-A/C models for 1-channel input.
 2. Always provide a protective ground externally, e.g., on the power supply.

* Only G9SB-301□-□ models have terminals 33-34 and 41-42.

Safety Networks and Application Controllers

G9SB

Safety Precautions

⚠ CAUTION

Turn OFF the G9SB before wiring the G9SB. Do not touch the terminals of the G9SB while the power is turned ON, because the terminals are charged and may cause an electric shock.



■ Precautions for Correct Use

Installation

The G9SB can be installed in any direction.

Wiring

Use the following to wire the G9SB.

Stranded wire: 0.2 to 2.5 mm²

Solid wire: 0.2 to 2.5 mm²

Tighten each screw to a torque of 0.5 to 0.6 N·m, or the G9SB may malfunction or generate heat.

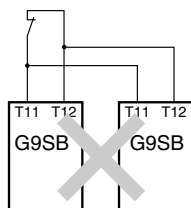
External inputs connected to T11 and T12 or T21 and T22 of the G9SB must be no-voltage contact inputs.

Mounting Multiple Units

When mounting multiple Units close to each other, the rated current will be 3 A. Do not apply a current higher than 3 A.

Connecting Inputs

If using multiple G9SB models, inputs cannot be made using the same switch. This is also true for other input terminals.



Earth Shorts

A positive thermistor is built into the G9SB circuits, so you can detect earth short breakdowns and breakdown shorts between channel 1 and channel 2. (Detection of breakdown shorts between channel 1 and channel 2 is supported for G9SB-2002-□/3012-□ models only.)

The G9SB will recover automatically when the short fault is cleared.

Note: In order to detect earth short breakdowns, connect the minus side of the power supply to ground.

■ Applicable Safety Category (EN954-1)

G9SB-200□-□/301□-□ meet the requirements of Safety Category 4 of the EN954-1 standards when they are used as shown in the examples provided by OMRON. Relays may not meet the standards in some operating conditions. The G9SB-3010 can be applied to Safety Category 3 of the EN954-1 using double breaking.

The applicable safety category is determined from the whole safety control system. Make sure that the whole safety control system meets EN954-1 requirements.

■ Approved Standards

The G9SB-200□-□/3010/301□-□ conforms to the following standards.

- EN standards, certified by TÜV:
 - EN954-1
 - EN60204-1
- Conformance to EMC (Electromagnetic Compatibility), certified by TÜV Rheinland
 - EMI (Emission): EN55011 Group 1 Class A
 - EMS (Immunity): EN61000-6-2
- UL standards: UL508 (Industrial Control Equipment)
- CSA standards: CSA C22.2 No. 14 (Industrial Control Equipment)